

## SPECIFICATIONS:

- **ISO- SEP** is a high-quality sound, impact and vibration screed isolation mat. It is suitable for use under light to full-weight concrete, or alternatively it can be supplied as discreet isolators for lighter load applications, for example; floating-floors in building conversions.
- **ISO- SEP** is made from 92% recycled automotive tires bonded with a permanently elastic polyurethane binder; the tire rubber is 100% post-consumer content. It does NOT contain PVC or formaldehyde and meets established Indoor Air Quality (IAQ) standards.
- **ISO- SEP** screed isolation mat can aid specifiers by potentially contributing towards earned LEED (NC-CI-EB) points.
- **ISO-SEP** is extremely easy to install. No training or special equipment is required. Roll it out, cut to fit, tape all seams, services and other penetrations and pour the concrete.



## ISO-SEP 25HD:

ISO-SEP 25HD is a one-inch dimpled one-side isolation mat that can be installed directly under concrete. The dimpled geometry reduces the contact area with the primary structural building components by over 90% while still maintaining even support and load capabilities. Floor assemblies constructed with ISO-SEP 25HD will produce a low-profile Sound Rated floor system.

One layer of ISO-SEP 25HD below a 6-inch concrete slab achieves an STC rating of 69 and an IIC rating of 62. At allowable loading, one layer of ISO-SEP 25HD has a Natural Frequency of 13Hz. Two layers of ISO-SEP 25HD below a 6-inch concrete slab achieves an STC rating of 72 and an IIC rating of 64. At allowable loading, two layers have a Natural Frequency of 10Hz. ISO-SEP 25HD can maintain loading to 1,020 lbs/ft<sup>2</sup>. With loading by application up to 2,040 lbs/ft<sup>2</sup>.



**ISO-SEP 25HD:** ISO-SEP 25HD is a one-inch flat on both sides isolation mat, typically used in heavier load applications, for example; foundation footings, isolation piers and inertia bases. One layer of ISO-SEP 25F loaded between 20 & 40-PSI will exhibit a Natural Frequency of 13Hz. Three layers of ISO-SEP 25F loaded between 20 & 40-PSI will exhibit a Natural Frequency of only 8Hz.

## FEATURES:

- Meets all IEQ indoor air standards
- Qualifies for LEED points
- 92% recycled rubber
- Bacteria, mold and fungi resistant
- Unaffected by water
- Can be safely loaded to 2,000 PSF
- Thermally stable 0 °F - 350 °F
- Roll in-place: Fast installation
- Requires no additional form work
- Maintenance Free



Critical applications use 2 layers ISO-SEP25HD and Perimeter Isolation Board- example: Standby Generators over condo suites.

## ACOUSTIC PROPERTIES FOR ISO-SEP 25HD:


- STC 69-72
- IIC 62-64

## PHYSICAL PROPERTIES:

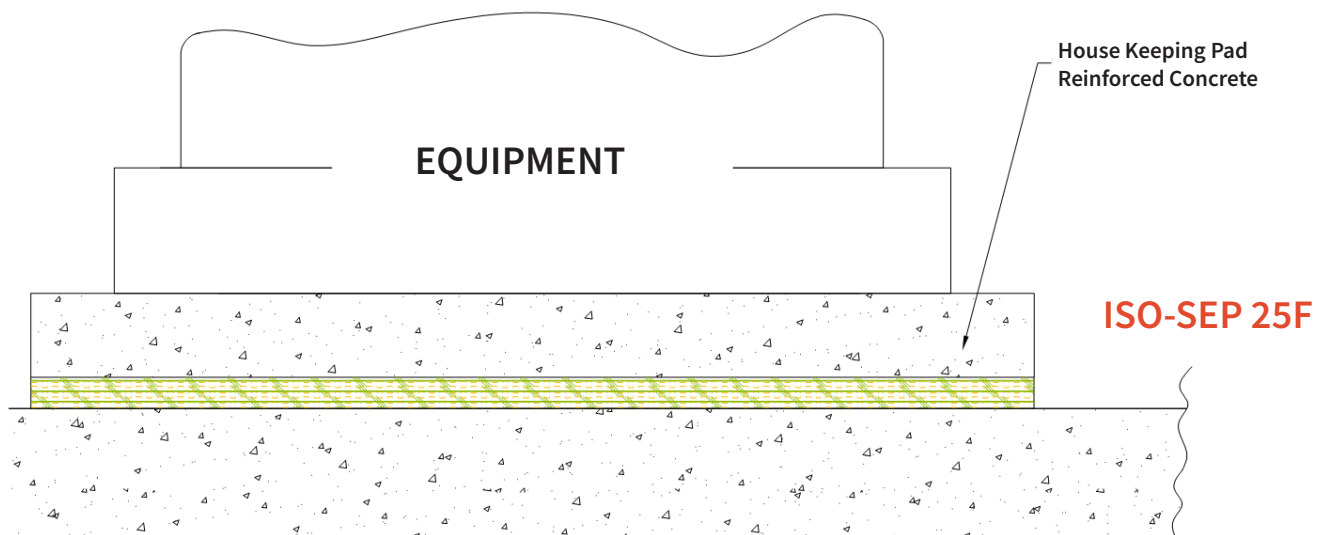
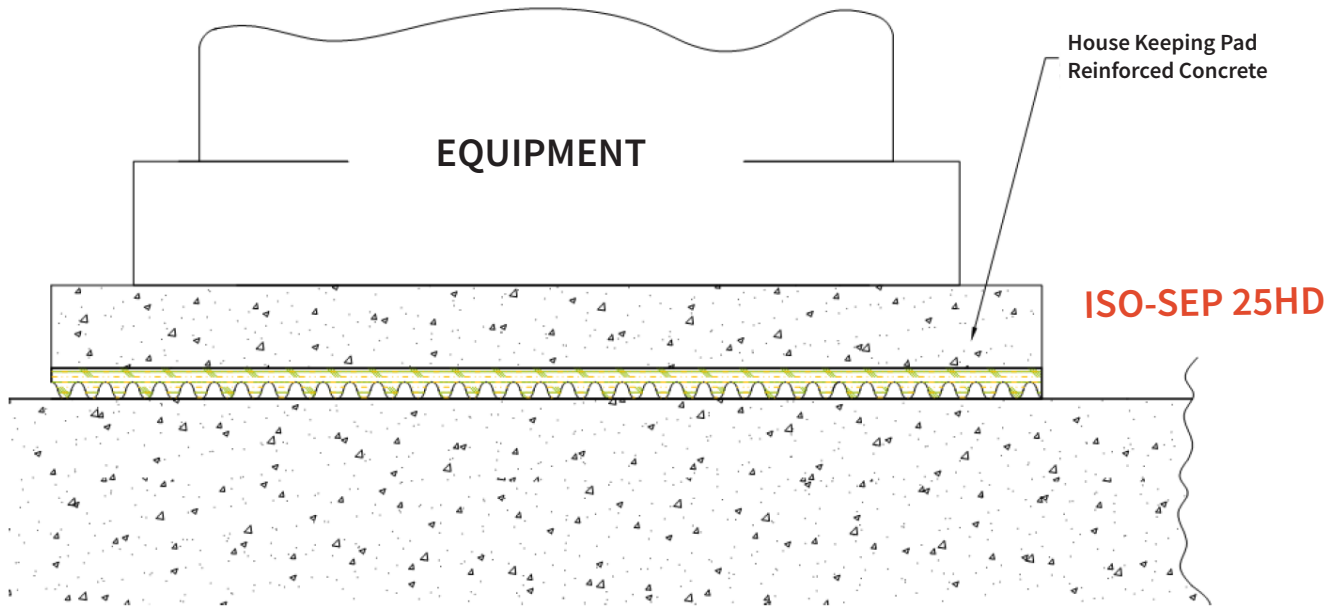
- **ISO-SEP- 25HD:**
  - Weight/Sq. ft. m<sup>2</sup>): 2.2Lbs (10.7 kg)
  - Roll Weight: 145 Lbs ( 65.77 kg)
  - Roll Dimensions: 48 in x 15 ft long (1.21 m x 4.57 m long)
  - Thickness: 1in (25 mm)
  - Type-A Hardness (ASTM D2240): 30 Durometer
- **ISO-SEP- 25F:**
  - Weight/Sq. ft. m<sup>2</sup>): 3.3Lbs (16.2 kg)
  - Roll Weight: 198 Lbs ( 89.5 kg)
  - Roll Dimensions: 48 in x 15 ft long (1.21 m x 4.57 m long)
  - Thickness: 1in (25 mm)
  - Type-A Hardness (ASTM D2240): 30 Durometer



Properly isolated concrete pier for heavy equipment for example: chillers or cooling towers- ISO-SEP 25HD for lighter, and ISO-SEP- 25F for heavier applications.

PROJECT INFORMATION		EQUIPMENT INFORMATION		Canada location	USA Location	
Customer:		Type:		35 Silton Road Woodbridge ON L4L 7Z8 CANADA T: 905-856-5001 <a href="http://www.isotechindustries.com">www.isotechindustries.com</a>	7700 Irvine Centre Drive Suite 800 Irvine, CA, 92618 U.S.A T: 949-788-2930	
Project:		Qty Required:				
Drawing No:		Operating Weight:				
Notes:						

## HOUSE KEEPING PAD ISOLATION:



## MECHANICAL ROOM ISOLATION:

### ISO-SEP 25 HD

SINGLE LAYER SHOWN BELOW  
4-INCH CONCRETE SLAB



### ISO-SEP 25 HD

DUAL LAYER SHOWN BELOW  
4-INCH CONCRETE SLAB

### ISO-SEP 25 HD & 25 F

SINGLE LAYER SHOWN UNDER EQUIPMENT PIER  
AND SURROUNDING 4-INCH CONCRETE SLAB

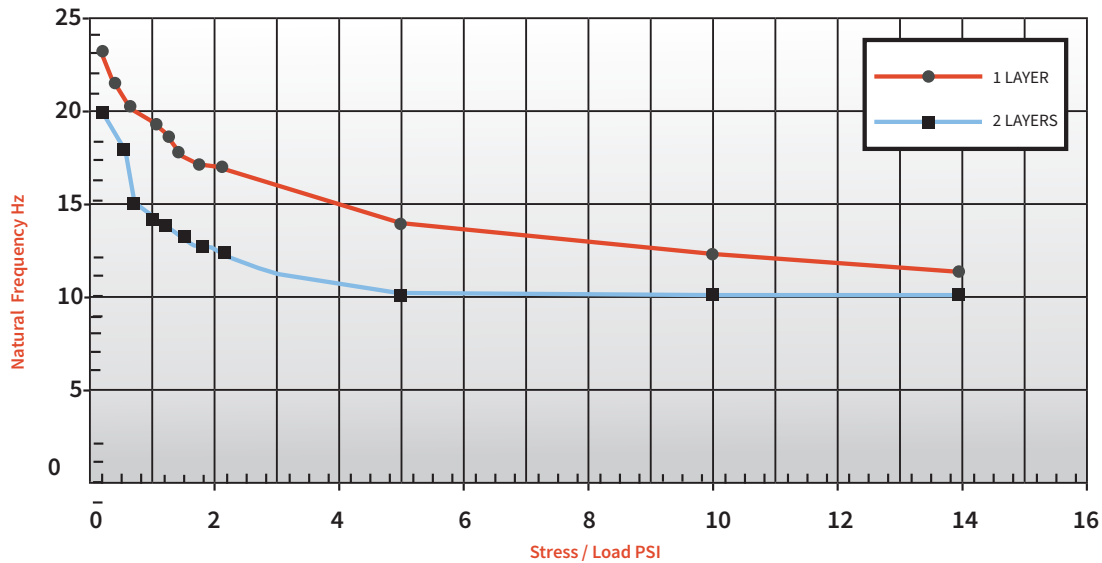




## ISO-SEP NATURAL FREQUENCY VS LOAD:

### ISO-SEP 25 HD

Natural Frequency vs Load - ISO-SEP 25 HD



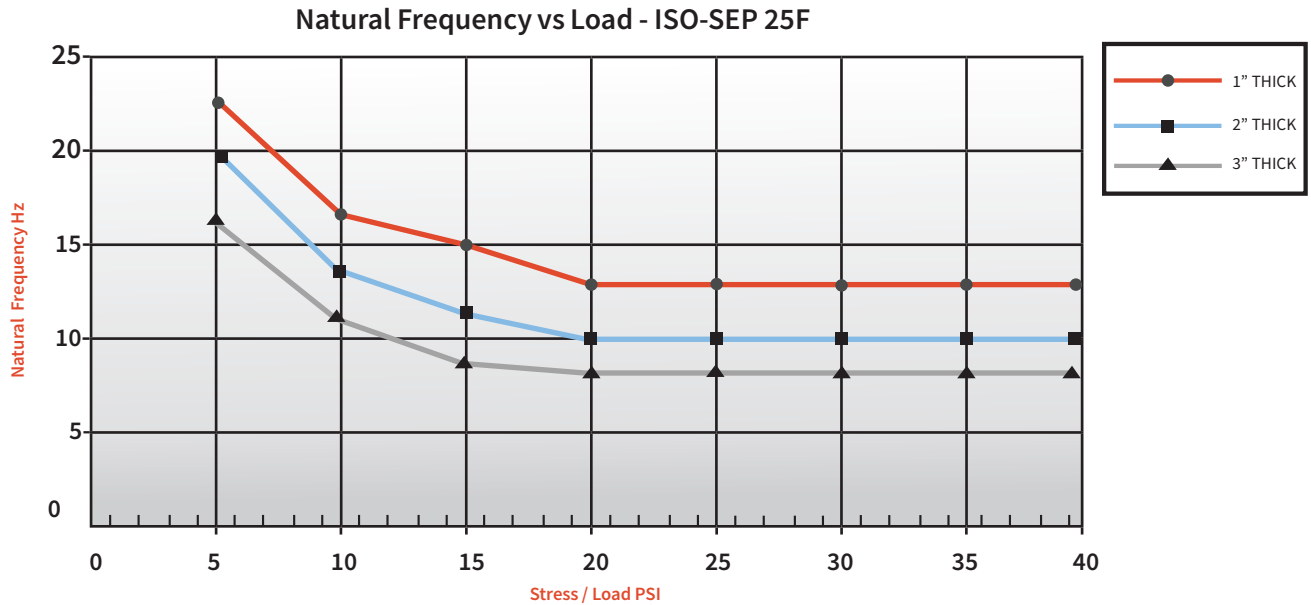
1 LAYER ISO-SEP 25HD		
Load PSI	Deflection In.	Nat. Freq. Hz
0.25	0.04	23
0.52	0.06	21
0.75	0.08	20
1.00	0.09	20
1.25	0.11	19
1.50	0.12	18
1.75	0.13	17
2.05	0.14	17
5.00	0.23	14
10.00	0.33	13
15.00	0.40	11

2 LAYERS ISO-SEP 25HD		
Load PSI	Deflection In.	Nat. Freq. Hz
0.25	0.08	20
0.52	0.12	17
0.75	0.15	15
1.00	0.18	14
1.25	0.21	14
1.50	0.23	13
1.75	0.25	12
2.05	0.27	12
5.00	0.47	10
10.00	0.65	10
15.00	0.75	10



## ISO-SEP NATURAL FREQUENCY VS LOAD:

### ISO-SEP 25 F



1 LAYER ISO-SEP 25F		
Load PSI	Deflection In.	Nat. Freq. Hz
5	0.025	22
10	0.062	17
15	0.100	14
20	0.141	13
25	0.181	13
30	0.220	13
35	0.253	12
40	0.284	13

2 LAYERS ISO-SEP 25F		
Load PSI	Deflection In.	Nat. Freq. Hz
5	0.054	20
10	0.109	14
15	0.175	12
20	0.128	11
25	0.322	10
30	0.394	10
35	0.452	10
40	0.526	10

3 LAYERS ISO-SEP 25F		
Load PSI	Deflection In.	Nat. Freq. Hz
5	0.085	16
10	0.179	11
15	0.280	10
20	0.390	9
25	0.480	8
30	0.660	8
35	0.678	8
40	0.795	8

TEST FLOOR- 100mm CONCRETE TOPPING OVER  
150mm BASE SLAB  
AS TESTED BY:  
National RESEARCH COUNCIL OF CANADA

	CONCRETE TOPPING STC	BASE SLAB IIC
BASE SLAB 6"		30
1 LAYER ISO-SEP- 25HD	69	62
2 LAYERS ISO-SEP 25HD	72	64

### HIGH LOAD FOUNDATIONS AND PIERS

